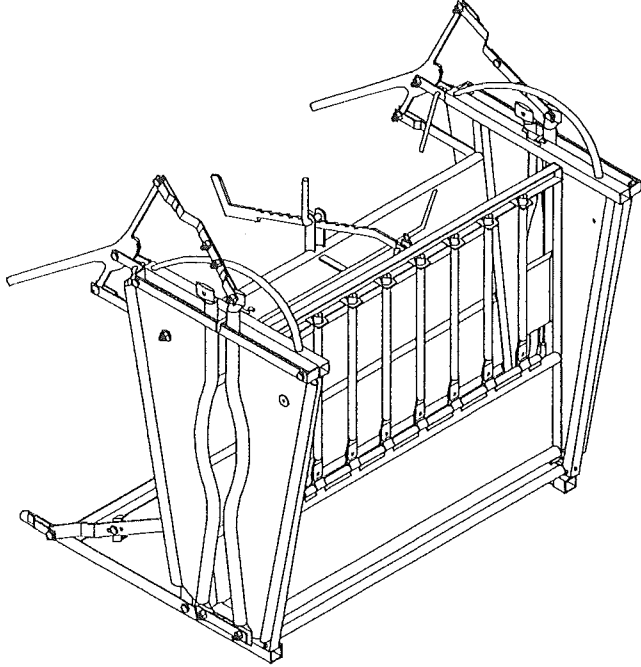
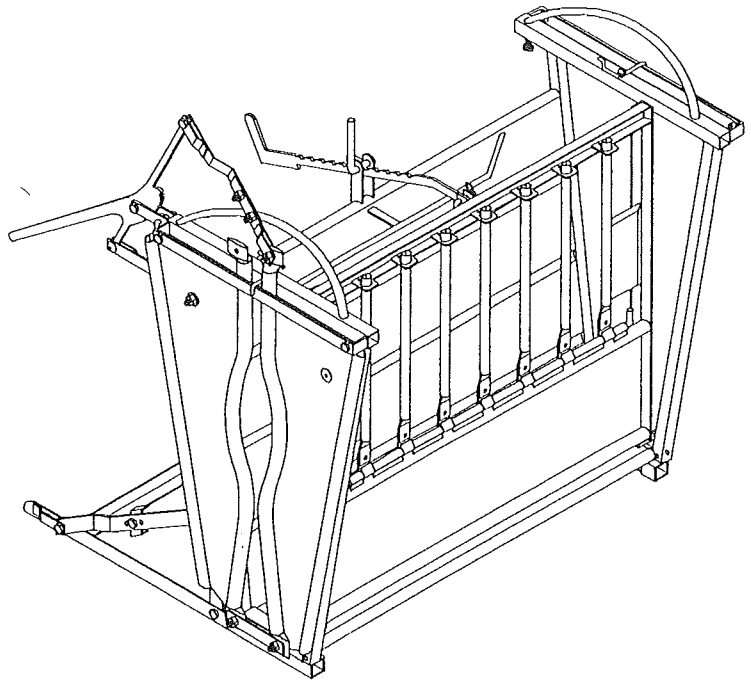


Classic & Classic Deluxe Calf Table

Operating Instructions



Classic Deluxe



Classic

POWDER RIVER

• LIVESTOCK HANDLING EQUIPMENT •

www.powderriver.com

1-800-453-5318

We congratulate you on your purchase of the Powder River Calf Table! Since 1938, we at Powder River have dedicated ourselves to making America's best livestock handling equipment. You have purchased just one of the many quality products made by Powder River. We are glad that you have chosen our product and hope you will repeat your business with us.

This guide will facilitate your use of the Calf Table. If in the event you have problems that this guide cannot answer we invite you to contact us at www.powderriver.com or call us at (800) 453-5318.

Before Getting Started



Please be aware that incorrect use of this product might cause injury to you and/or to your animals. We advise you to take the necessary time to become familiar with the calf table before actually operating it with animals. This will enable you to avoid possible injury to

The Calf Tables

The Calf Tables are designed to hold livestock in an accessible position for branding, vaccinating, tagging, and overall inspection.



Please be aware, the Calf Tables are engineered to use in working with **calves that weigh up to 450 lbs.** If you need a chute with heavy-duty capabilities, the Calf Table may not be the best option for you. If you require a heavier chute for your operation, we recommend that you use our XL Chute, which is designed to be longer lasting under the most demanding

What You Will Need

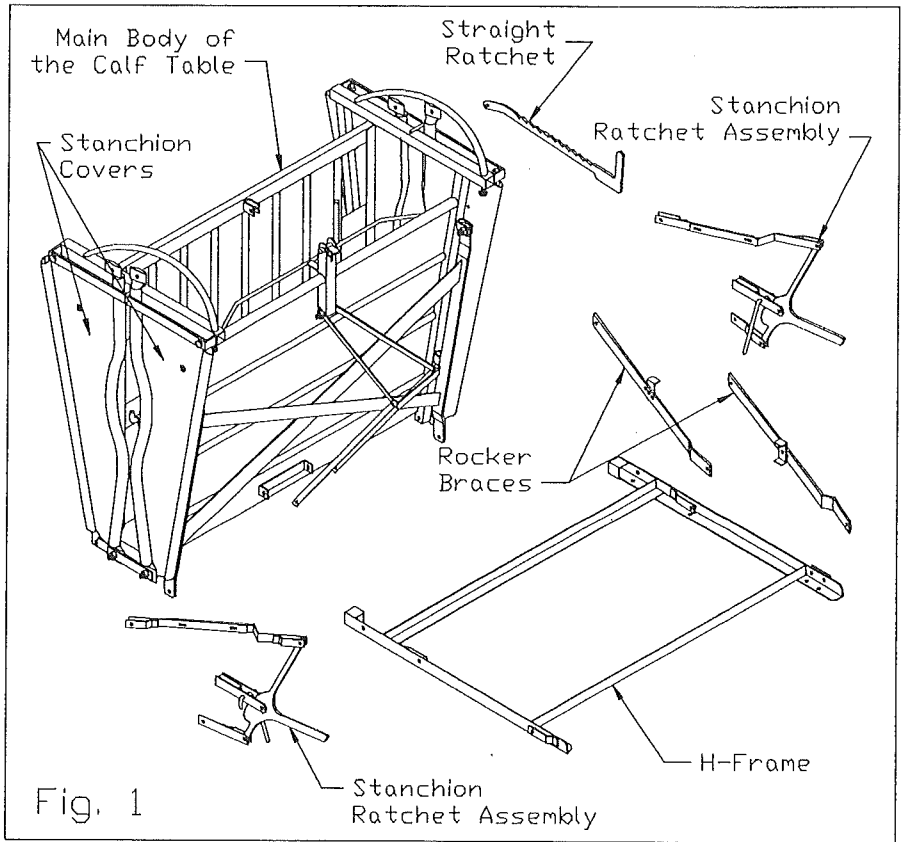
To assemble and operate your new Calf Table you will need:

- Two ten-inch adjustable wrenches
- A hammer



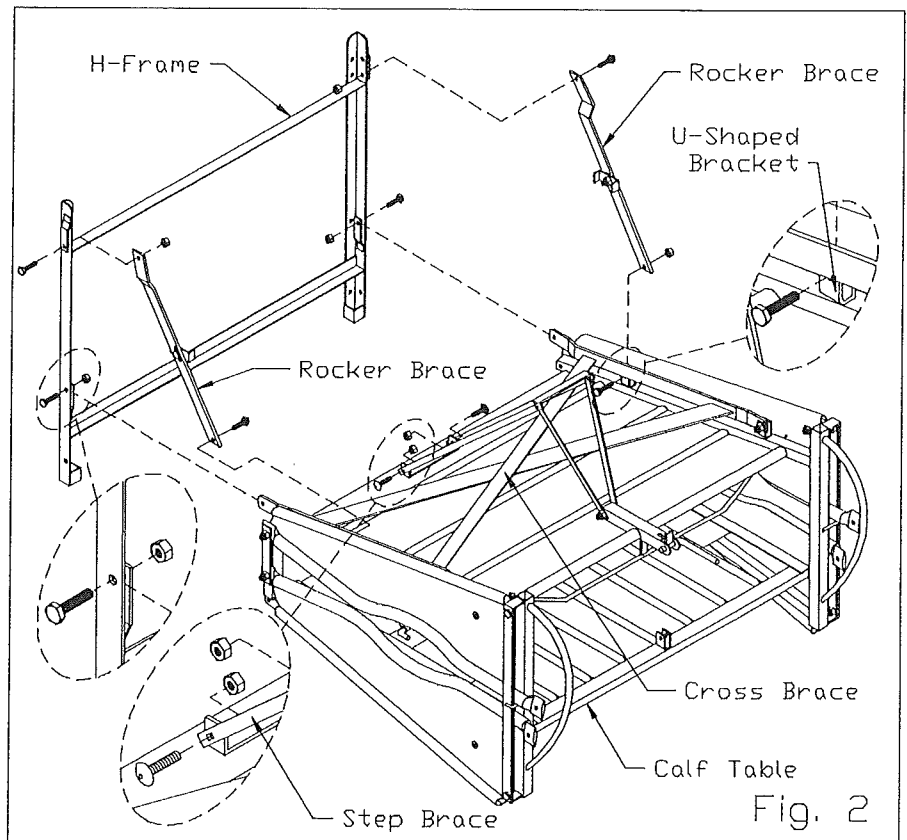
Getting Started

Your Classic Calf table will need to be assembled before it can be put into use. Remove all the parts shown in figure 1 from the main body of the calf table, and lay them on the ground. To remove the H-Frame you will need to open the Stanchion Covers on one end of the Calf Table.



Step 1

Lay the Calf Table on the ground as shown in Figure 2. Slide the H Frame up to the Calf Table and secure it to the Cross Brace on both sides with (2) 1/2" x 1-1/2" hex bolts and 1/2" lock nuts as shown. Bolt the two Rocker Braces to the H- Frame using (2) 1/2" x 1-1/2" hex bolts and 1/2" lock nuts. Bolt the other end of the Rocker Braces to the U-Shaped Brackets on the frame of the Calf Table with (2) 1/2" x 1-3/4" hex bolts and 1/2" lock nuts as shown in figure 2. Bolt the two Step Braces to the bracket on the bottom of the Calf Table using (2) 3/8" x 1" carriage bolts and 3/8" lock nuts as shown.



POWDER RIVER
LIVESTOCK HANDLING EQUIPMENT

Step 2

Stand the Calf Table up onto the H-Frame as shown in figure 3. Loosen the Set Screws on the square tubes on both ends of the Table. Insert the two Stanchion Ratchet Assemblies into the square tubes on the Table as shown. Slide the Straight Ratchet through the Center Trip Handle Mount as shown in figure 3.

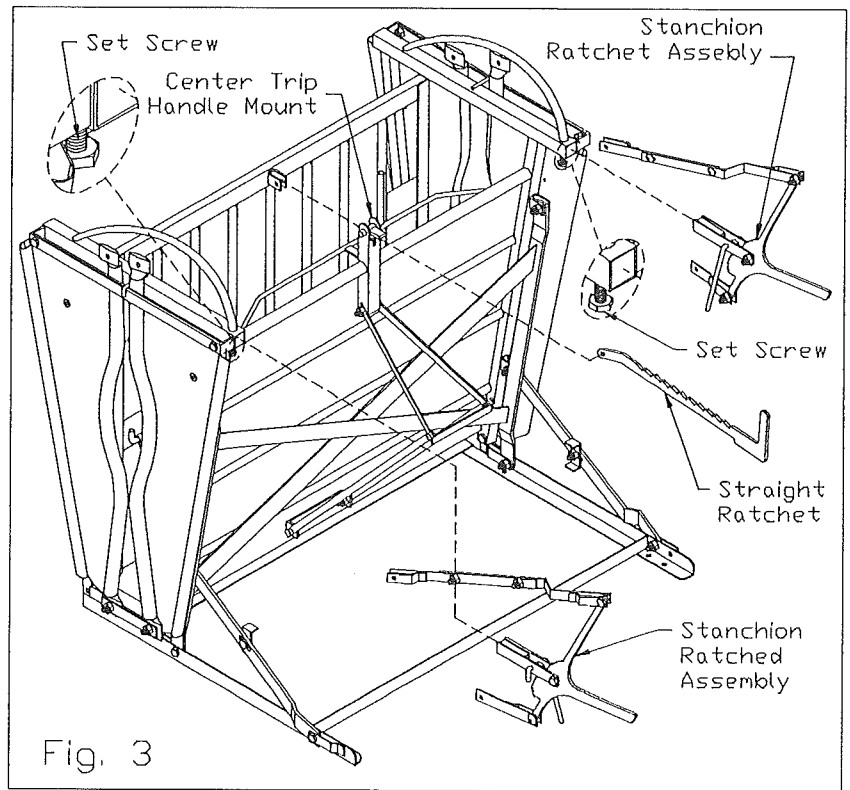


Fig. 3

Step 3

Secure the Straight Ratchet to the U-Shaped Bracket on the Side Panel with the Quick Disconnect Pin and Hairpin as shown in figure 4. Using a 3/8" x 1" carriage bolt and 3/8" lock nut, secure the Short Arm on the Stanchion Ratchet Assembly to the Stanchion Covers on both ends of the Calf Table as shown. Bolt the Long Arm on the Stanchion Ratchet Assembly to the Stanchion Covers on both ends of the Calf Table using 1/2" x 1-1/2" hex bolts and 1/2" lock nuts as shown in figure 4.

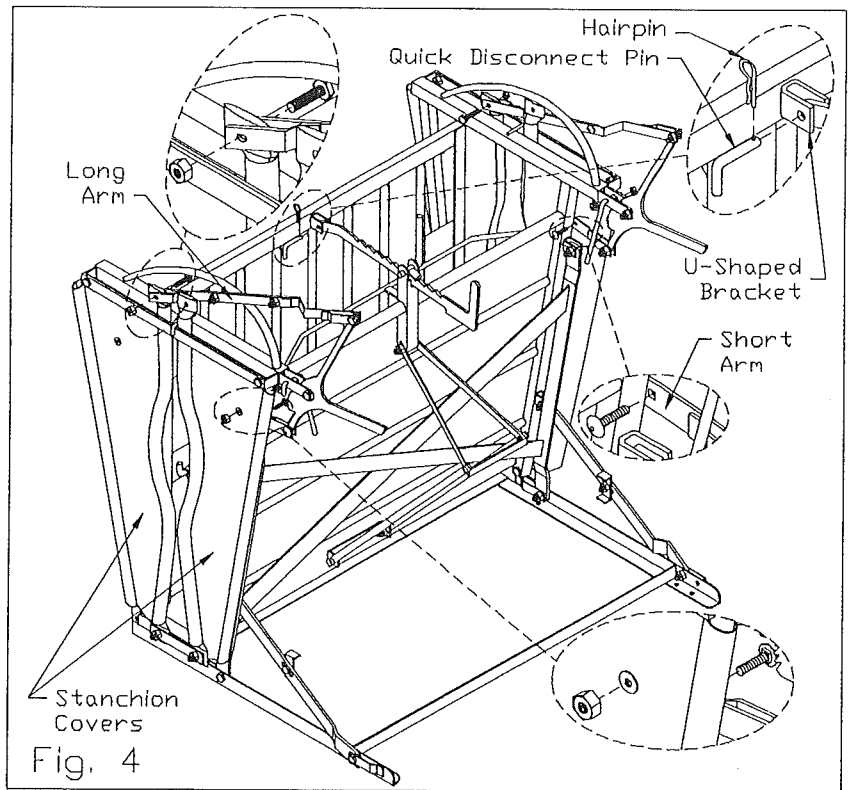


Fig. 4



Set Up

After the Classic Calf Table is assembled, a few adjustments will need to be made before it is ready for use.

1. The Stanchion Ratchet Assembly needs to be adjusted so that, when the Stanchion Covers are completely closed the Ratchet Assembly is locked on its last tooth. To do this, loosen the two center bolts on the Long Arm, and the Set Screw shown in figure 5. With the Ratchet Assembly set on the last tooth, slide the Ratchet Assembly into the square tube until the Stanchion Cover attached to the Short Arm hits the middle spacer. Tighten the Set Screw to secure the Ratchet Assembly in place. With the center bolts on the Long Arm loose, slide the far Stanchion Cover towards the middle spacer and tighten the two center bolts as shown in figure 5. If your Calf Table has Stanchion Covers and Ratchet assemblies on both ends, repeat this step on the opposite end.

2. The Rocker Stops (*one on each side of the Table as shown in figure 4*) shown in figure 5 is what sets the angle at which the Table lays. There are three possible settings at which the Rocker Stops can be set. By moving the Rocker Stops between the three holes on the Rocker Braces, (*one on each side of the Table as shown in figure 4*) the angle the Table lays is changed. The bottom holes on the Rocker Braces will allow the Table to lay down past a 90-degree angle, so that it has a downward slope. The middle holes make the Table lay horizontally or at a 90-degree angle. The top holes will have the Table lay with an upward slope or not quite to 90-degrees. It is important to note, that while adjusting the Rocker Stops they need to be positioned so that when the Table is laid down the entire edge of the Rocker Stops rest flat against the edge of the Cross Brace. (*shown in figure 2*)

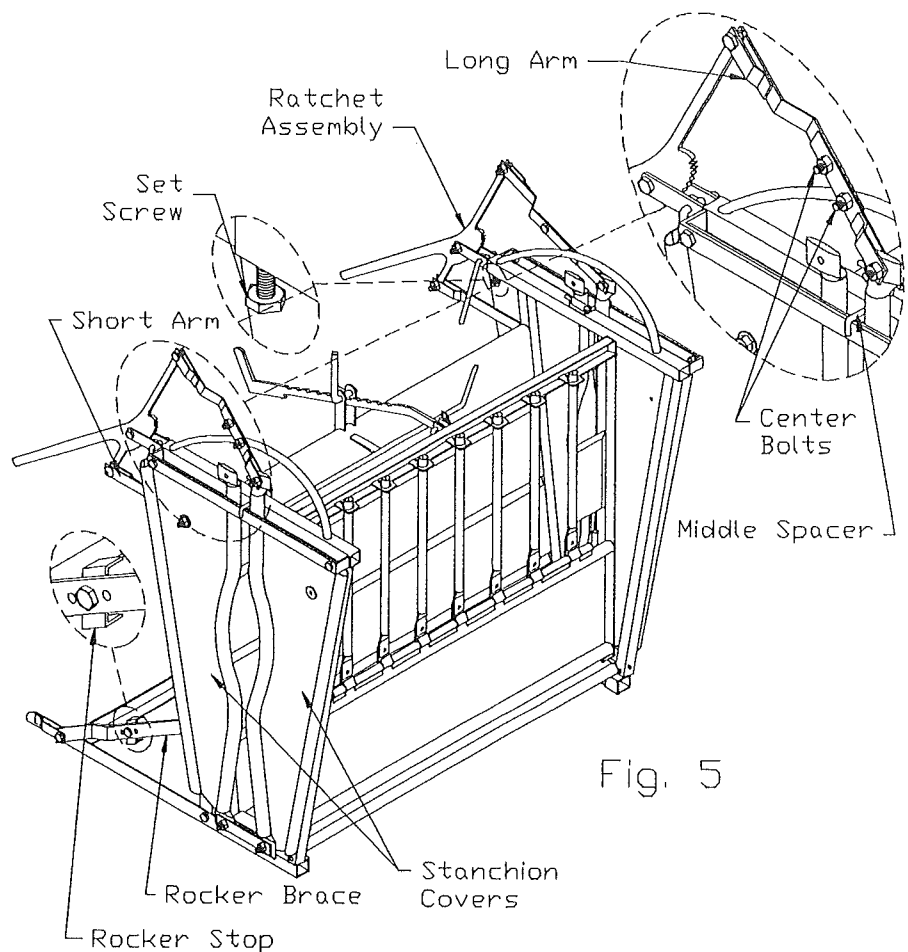


Fig. 5

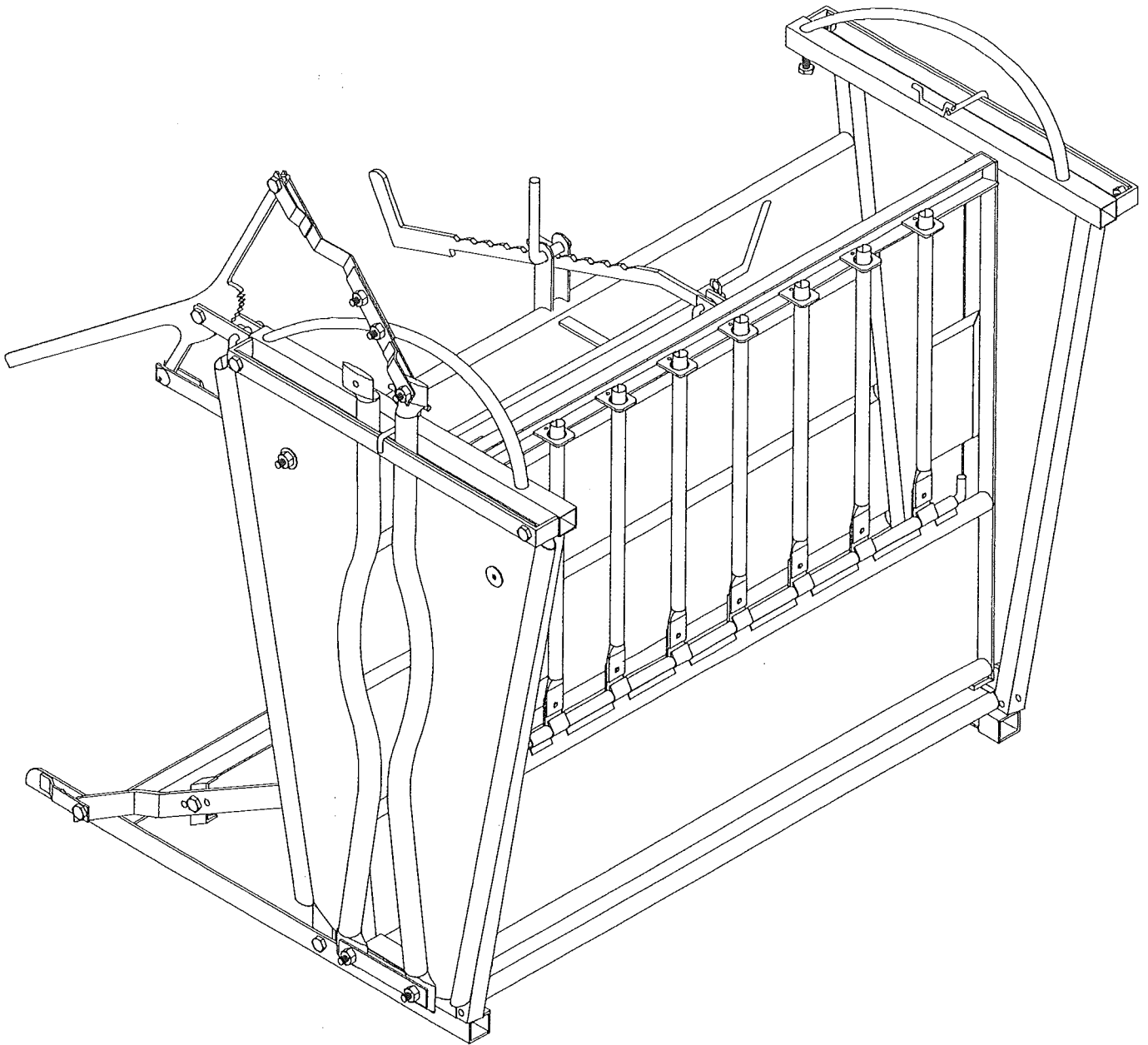
3. There are four holes located on the bottom of the H-Frame that can be used for staking or bolting the table down to make it more sturdy. Two of the holes are located under the main body of Table, so you will need to lay the table down in order to get to them. The remaining holes are located on the far end from the table. (*Stakes Not Included*)



Classic Calf Table

The Classic Calf Table, for the most part, is much like the Classic Calf Table. The main difference is the Classic Calf Table comes with only one head gate. The one head gate can be easily mounted to either end of the Table for right-hand or left-hand branding. Its assembly and set up is done in the same order and manner as the Classic Calf Table with the exception that there is just the one head gate.

Note: If in the future there is a need for a head gate on both ends of your Table, an additional one can be purchased. Order # 008-00345



The Calf Tables Operation and its Working Parts

Before actually operating the Calf Table with an animal it is important that you become familiar with its operation and working parts. The following steps are given in the order the Calf Table will be operated. (Refer to figures 6 and 7 for a picture of each part in the steps.)

1. Head Gate

One of the most important parts of the Calf Table is the head gate. The Stanchion Covers on the head gate are opened by pulling the Release Handle on the Stanchion Ratchet Assembly towards you and at the same time lifting up on the Stanchion Ratchet Handle, until the head gate is completely open. On the Classic Calf Table there are head gates located on both ends of the Table and are both opened in the same way.

With both head gates open the animal is led into the Table where the rear head gate is closed behind him, and the front head gate closes as its head comes out the front of the Table catching the animal between its head and shoulders. To close the head gates simply pull down on the Stanchion Ratchet Handles.

(Note: You may not want to open the Head Gate all the way for young calves that have never been worked in a Calf Table. Open it just wide enough for their head to get through.)

2. Squeeze Ratchet

The Straight Ratchet operates the actual squeezing of the Calf Table. Pull the ratchet handle towards you until you have the desired squeeze pressure on the animal. It is important for the animal's protection that it is squeezed tight enough to hold it in place. It may be necessary on a larger calf to reach across the table and pull directly on the top of the side frame for more leverage. To release the Squeeze Ratchet push the center trip handle away from you.

As A Safety Feature: there is a quick release pin attached to the Squeeze Ratchet that can be pulled out to release one side of the Table. This will allow the calf to escape safely.

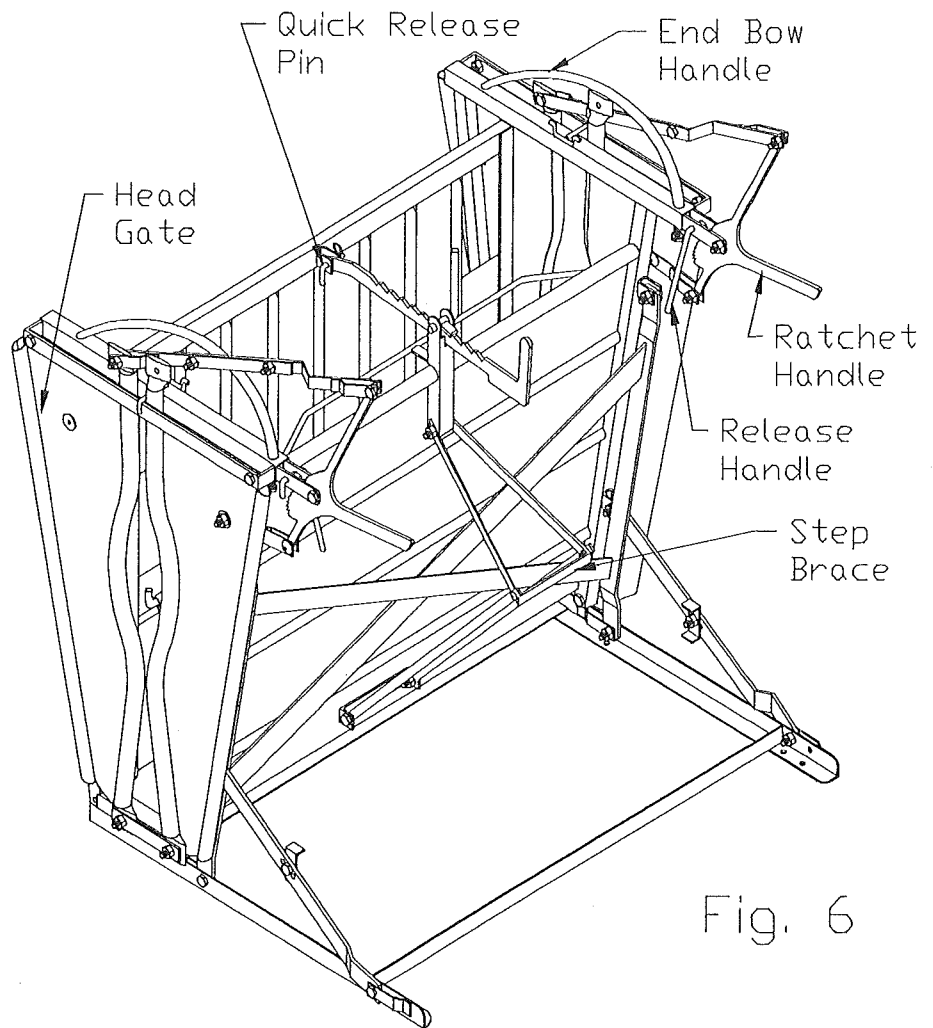


Fig. 6

Warning: before releasing the quick release pin make sure nothing is in the way of the side. It could cause possible injuries!



3. Step Brace

The Step Brace is used in laying down and standing up the Table. Simply grab one of the End Bow Handles and put one foot up on the Step Brace, and at the same time pull down on the handle and step down on the Step Brace until the table is laying horizontally. (Note: At this point it may be necessary on larger calves to push down on the side of the table to better squeeze the animal to hold it in place.) To stand the Table up place your hand and foot in the same places as when it was laid down, but this time lift up with your hands and control its speed with your foot until it is standing vertical.

4. Fingers

The fingers are designed to swing and pivot out of the way to allow free access to the animal's side. To move them out of the way pull the finger latch towards the top of the frame and swing or pivot them out of the way. It is important that before standing the table back up you relatch all the fingers.

5. Rope Tie

The Rope Tie is used when tying a rope around the leg of the calf to hold it out of the way while castrating.

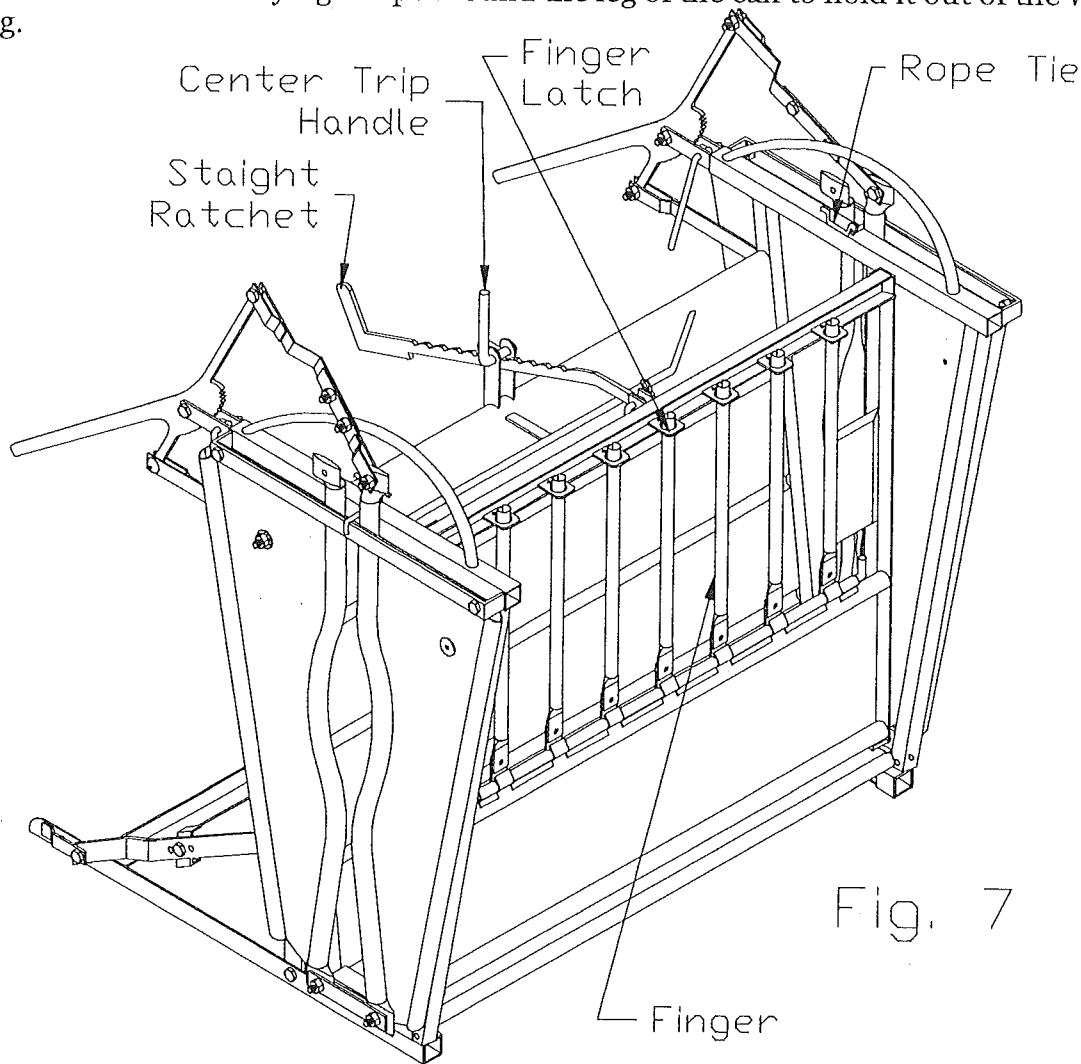


Fig. 7

POWDER RIVER
LIVESTOCK HANDLING EQUIPMENT

The Classic and Classic Deluxe Calf Table and Replacement Parts

